

# EL<sup>®</sup>MARK

The Brand of Electricity

## LED PANELS ROUND OM



# TECHNICAL SPECIFICATION

## INDOOR-LED PANELS

**ELMARK**<sup>®</sup>

The Brand of Electricity

---

### Technical data:

---

- Rated voltage: 230V/ 50-60Hz
- Power: 18W; 28W;
- Power supply: Control gear; DC device- driver
- Colour temperature: 2700-3000K; 4000-4300K; 6300- 6500K
- LED source: Epistar SMD 2835
- Colour: White;
- Body: Plastic;
- Beam angle: 120°
- Colour rendering index: Ra≥80
- Switch on/off: >20 000
- Long life: 30 000h
- Starting time: < 0,5s
- Power factor:  $\lambda > 0,8$
- Installation: Surface mounting
- Protection against dust and moisture: IP40

---

### Features:

---

- Completely replace traditional fluorescent lighting
- Safety, low voltage operation
- Emit a very pleasant and even light with very low glare factor due to the diffusion lens
- Low power consumption
- Repeated switch-on/off does not affect the lifespan of the LED panel
- Instant light with maximum luminous flux
- Environmentally friendly - do not emit mercury and lead (RoHS Directive)
- No ultraviolet and infrared rays
- Resistant to shock and vibration

# TECHNICAL SPECIFICATION

## INDOOR-LED PANELS

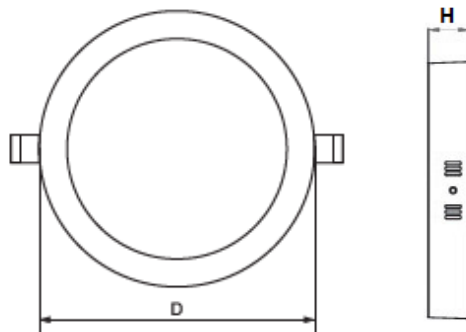
**ELMARK**<sup>®</sup>

The Brand of Electricity

### Area of application:

- Residential buildings
- Administrative buildings
- Banks
- Hospitals
- Schools

### Variants and Dimensions:



Watt	Whole fixture lumens	Colour temp.	Colour body	Size (mm)		Catalogue number
				Diameter	Height	
(W)	(lm)	(K)				
18W	1530	6300-6500	White	175	33	99LED965CW
18W	1530	4000-4300	White	175	33	99LED965
18W	1530	2700-3000	White	175	33	99LED965WW
28W	2500	6300-6500	White	225	33	99LED966CW
28W	2500	4000-4300	White	225	33	99LED966
28W	2500	2700-3000	White	225	33	99LED966WW

